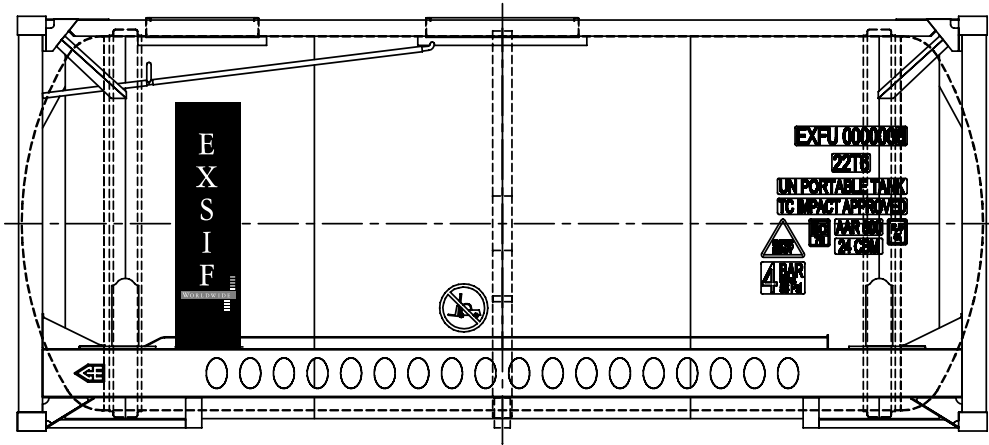


T11 24,000 LITER

Frame Tank
Steam Heated
Insulated

24,000 LITER

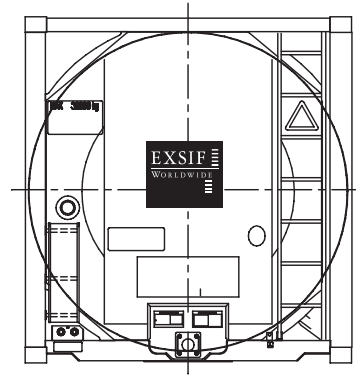
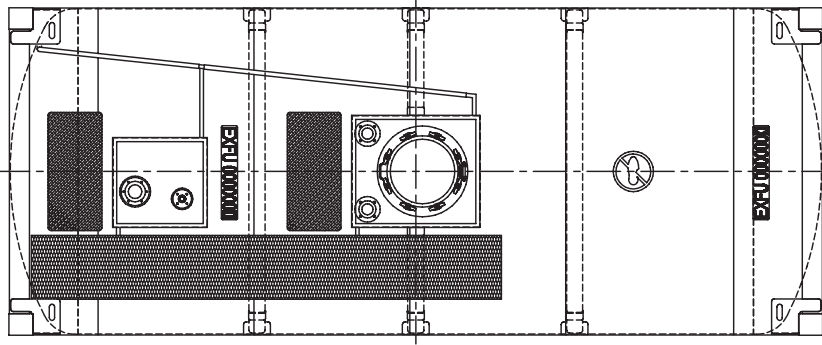


EXSIF

WORLDWIDE



A member of The Marmon Group of companies



T11 24,000 LITER

Frame Tank

General Specifications

Dimensions	mm	ft-in	Internal Finish	Cold rolled ASTM 2B, interior acid cleaned and certified for the carriage of foodstuff.	Steam Heating System	10 off vee sections producing an effective heating area of 10 sq. meters (107.6 sq. ft) at 4 Bar (58 psi) working pressure with 1" BSP inlet/outlet connections.
Length	6,058	20' 0"	Weights		Insulation	Sandwich of 40mm polyurethane and 20mm glasswool with outer cladding of 5000 series aluminium, all joints sealed.
Width	2,438	8' 0"	Tare	3,745	Approvals	IMDG-IMO, US-DOT-CFR49, RID/ADR, UK DETR, AAR 600, CSC. TC. TIR Customs, UIC, Chinese SQLO.
Height	2,591	8' 6"	Max Payload	32,255	Options	Capacities from 12,000 liters (3,170 USG) to 26,000 liters (6,869 USG). Electrical/glycol heating. Linings. Baffles or compartments.
Capacity	Liters	Gallons	Fittings			
	24,000	6,341	Manlid	Fort Vale 500 mm, fully hinged with 8 fixings.		
Shell Material	316L Stainless Steel		Air Line	1/2" Fort Vale stainless steel ball valve with a 1/2" BSP termination.		
Barrel/Head Thickness	4.6/4.5 mm (0.181/0.177")		Bottom Outlet	3" 30° stainless steel foot valve, butterfly valve with a 3" BSP termination. Remote closure system with fusible link fitted.		
Pressures	Working = 4 Bar (58.0 psi) Test = 6 Bar (87.0 psi) Vacuum = 0.42 Bar (6.1 psi)		Top Outlet	3" nominal bore closed by a 3" Table 'D' flange.		
Design Temp	130 °C (266 °F)		Safety Relief Valve	3" flanged high flow valve set at 4.4 Bar (63.8 psi).		
Design Code	ASME VIII Division 1		Thermometer	Surface type gauge reading -20 °C to +200 °C (-4 °F to 392 °F).		
External Finish	Zinc rich primer and acrylic top coat.					

Note: The above information is an average representation of technical data. Please consult your EXSIF Worldwide representative for more specific data.

1225 North Loop West
Suite 300, Houston
TX 77008, USA
tel: 1-713-869-9922
fax: 1-713-869-6526
email: sales.americas@EXSIFWW.COM

16 Raffles Quay
#42-01A Hong Leong Building
Singapore 048581
tel: 65-6224-2633
fax: 65-6224-2634
email: sales.asia@EXSIFWW.COM

9, Place Hoche - F - 78000
Versailles,
France.
tel: 33-1-39 51 16 12
fax: 33-1-30 21 91 96
email: sales.europe@EXSIFWW.COM



Visit our web site www.EXSIFWW.COM

Offices and Agents Worldwide: Australia, Brazil, China, France, Germany, Indonesia, Israel, Italy, Japan, Korea, Netherlands, Malaysia, Philippines, Poland, Russia, Saudi Arabia, Singapore, South Africa, Taiwan, United Arab Emirates, UK, USA
Headquarters: 100 Manhattanville Rd, Purchase, NY 10577, USA tel: 1-914-697-2600, fax: 1-914-697-2697, e-mail EXSIF.CO@EXSIFWW.COM